



Hauck Manufacturing Company

COMBUSTION CONTROL ACCESSORIES GAS PRESSURE REGULATOR (GPR)



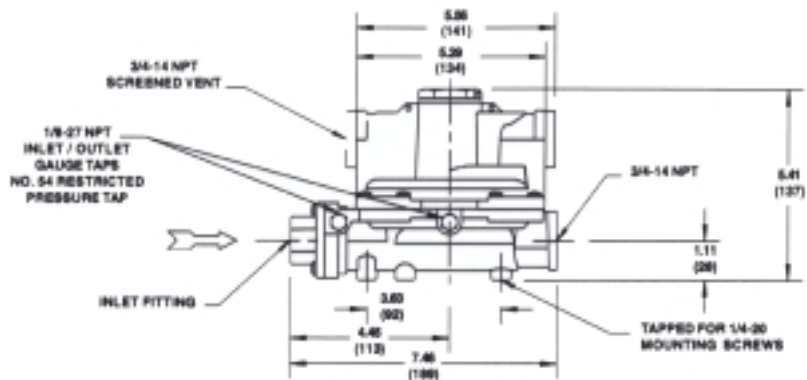
Gas pressure regulators are necessary to step down gas supply pressure to pressures suitable for various burner/combustion applications.

R622 regulators are direct-operated, spring loaded regulators used for a variety of combustion applications. Gas connection (both inlet and outlet) for all models is 1/2 NPT. Maximum inlet operating pressure is 125 psig (862 kPa). Maximum operating outlet pressure is 3 psid (21 kPa) above outlet pressure setting. The regulator body is constructed of aluminum. The diaphragm is constructed of nitrile. The control spring is made from spring wire. The vent connection is 3/4 NPT with a removable screen. The regulator is suitable for temperatures of -20 to 160 °F (-28 to 71 °C). Consult Hauck for regulator requirements other than standard, e.g., pipe size, outlet pressure range, etc.

Direct Acting Gas Pressure Regulators

Model No.	Hauck Part No.	Conn. Size NPT	Spring Color	Outlet Pressure Range	Orifice Size	Droop	Inlet Pressure (psig)	Nat. Gas Flow (scfh)
R622-05	301232	1/2	Gray	13-20" wc	1/8	2" wc	5	246
							10	364
							50	641
R622-05	301234	1/2	Pink	16-35" wc	1/8"	3" wc	5	174
							10	337
							50	679
R622-05	301233	1/2	Lt. Blue	1-2.2 psig	1/8"	6" wc	10	381
							50	923
							100	1285

Dimensions (Inches)

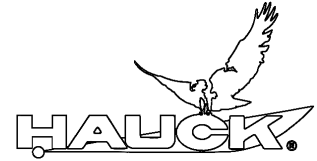


GPR-1



Hauck Manufacturing Company

COMBUSTION CONTROL ACCESSORIES GAS PRESSURE REGULATORS (GPR)

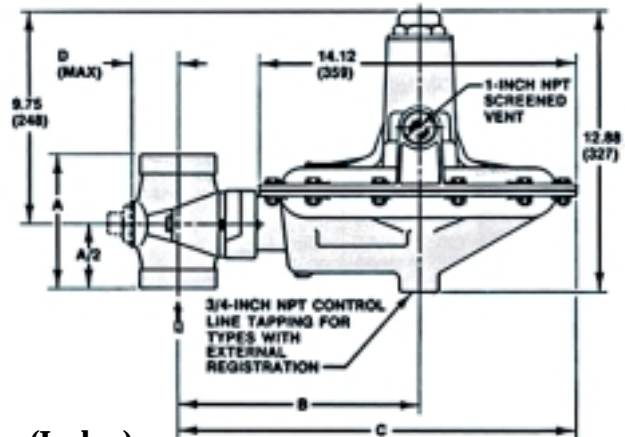
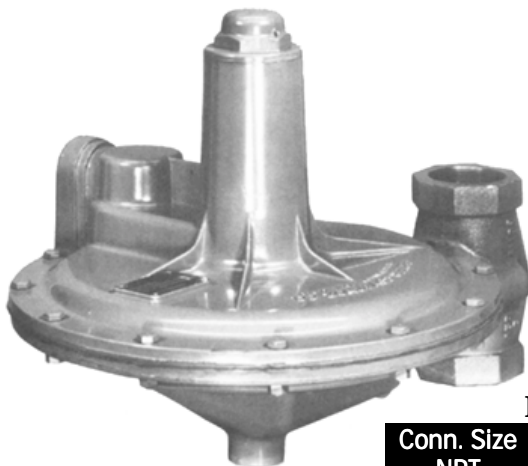


Gas pressure regulators are necessary to step down gas supply pressure to pressures suitable for various burner/combustion applications.

S202 regulators are self-operated, quick responding service regulators used for a variety of combustion applications. They are suitable for applications with varying flow demands, or where load changes may shock other control equipment. Maximum inlet operating pressure is 150 psig (1034 kPa). Maximum operating outlet pressure is 2 psig (14 kPa) above outlet pressure setting. The regulator body is constructed of cast iron. The diaphragm is constructed of nitrile. The body gasket is neoprene. The vent connection is 1 NPT. The regulator is suitable for temperatures of -20 to 180° F (-28 to 82° C). An internal relief and external vent connection are standard. Consult factory for requirements other than standard, e.g., body material, pipe size, outlet pressure range, etc.

Direct Acting Gas Pressure Regulators

Model No.	Hauck Part No.	Conn. Size NPT	Spring Color	Outlet Pressure Range	Orifice Size	Pressure Offset	Inlet Pressure (psig)	Nat. Gas Flow (scfh)
S202-15	62894	1½	Dk. Green	14-30" wc	¼"	3" wc	5	900
							13	1500
							60	4400
S202H-20	62896	2	Dk. Blue	1-2 psig	¼"	6" wc	6	1100
							14	1600
							60	4300
S202-15	62895	1½	Dk. Green	14-30" wc	¾"	6" wc	5	4200
							13	6500
							20	7750
S202H-20	62897	2	Dk. Blue	1-2 psig	¾"	6" wc	6	4200
							14	8000
							30	15000



Dimensions (Inches)

Conn. Size NPT	A	B	C	D
1½	6.12	11.06	18.12	1.44
2	6.12	10.62	17.69	1.88

ALL OTHER TYPES

INCH (mm)

GPR-1.2



Hauck Manufacturing Company

COMBUSTION CONTROL ACCESSORIES GAS PRESSURE REGULATORS (GPR)



Gas pressure regulators are necessary to step down gas supply pressure to pressures suitable for various burner/combustion applications.

1098 regulators are pilot-operated, high volume service regulators used for a variety of combustion applications. They are suitable for applications with varying flow demands, or where load changes may shock other control equipment. Maximum inlet operating pressure is 80 psig (552 kPa). The regulator body is constructed of cast iron and the diaphragm is constructed of nitrile. The regulator is suitable for temperatures of -20 to 180°F (-28 to 82°C). Consult Hauck for regulator requirements other than standard, e.g., body material, pipe size, outlet pressure range, etc.

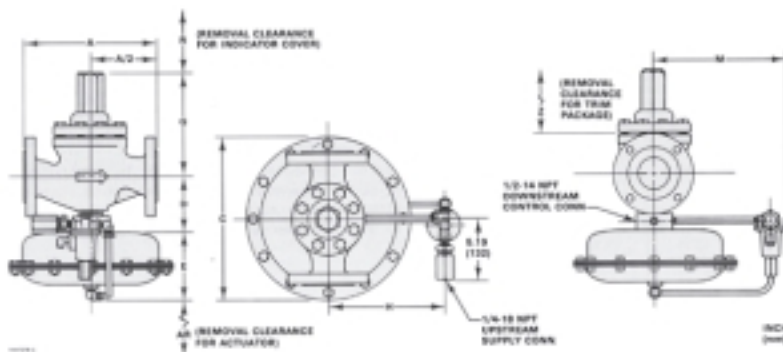
Pilot Actuated Gas Pressure Regulators

Model No.	Hauck Part No.	Conn. Size	Spring Color	Outlet Pressure Range	Orifice Size	Pressure Offset	Inlet Pressure (psig)	Nat. Gas Flow (scfh)
1098-10	62890	1 NPT	Yellow	2-55" wc	40	6352	5	9300
							15	20000
							60	54000
1098-20	61443	2 NPT	Yellow	2-55" wc	40	6352	5	34000
							15	73000
							60	197000
1098-30	60227	3" Flanged	Yellow	2-55" wc	40	6352	5	73000
							15	158000
							60	424000

Dimensions (Inches)



Conn. Size	Actuator Size	A	C Dia.	D	E	G	H	M	R	Z	AR
1"	40	8.25	13.12	3.88	5.75	8.62	7.88	9.5	4.06	12.00	3.00
2"		11.25		4.56		9.12					
3"		11.75		5.31		11.31					

**GPR-1.3**

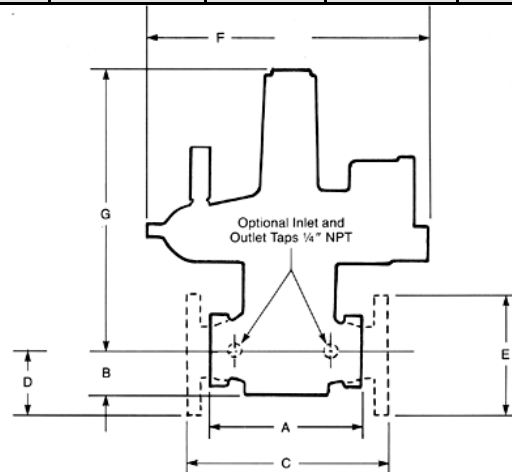
**Hauck Manufacturing Company****COMBUSTION CONTROL ACCESSORIES
GAS PRESSURE REGULATORS (GPR)**

Gas pressure regulators are necessary to step down gas supply pressure to pressures suitable for various burner/combustion applications.

121 regulators are externally actuated, high volume service regulators used for a variety of combustion applications. They are suitable for applications with varying flow demands, or where load changes may shock other control equipment. The regulator body is constructed of cast iron. The regulator is suitable for temperatures of -20 to 150° F (-28 to 66° C). Consult Hauck for regulator requirements other than standard, e.g., outlet pressure range, etc. Additionally, a "zero" governor spring configuration is available.

Externally Actuated Gas Pressure Regulators

Model No.	Hauck Part No.	Conn. Size	Maximum Working Pressure	Outlet Pressure Range	Spring Color	Pressure Offset	Inlet Pressure (psig)	Nat. Gas Flow (scfh)
121-8-12	61971	1 ¼ NPT	60 psig	1-2 psig	Orange	7" wc	5	9700
							15	18900
							25	24000
121-8-15	62902	1 ½ NPT	60 psig	1-2 psig	Orange	7" wc	5	13000
							15	27000
							40	50000
121-8-20	62903	2 NPT	60 psig	1-2 psig	Orange	7" wc	5	24000
							15	50000
							40	90000
121-12-25	62904	2 ½ NPT	60 psig	1-2 psig	Black	7" wc	5	33500
							15	94000
							40	129500
121-12-30	62905	3" Flanged	40 psig	1-2 psig	Black	7" wc	5	65000
							15	135000
							40	200000

**Dimensions (Inches)**

Model No.	Conn. Size	A	B	C	D	E	F (Dia.)	G
121-8-12	1 ¼ NPT	5.75	1.875	N/A	N/A	N/A	10.188	13.563
121-8-15	1 ½ NPT	7.5	2.375	N/A	N/A	N/A	10.188	13.688
121-8-20	2 NPT	7.5	2.375	N/A	N/A	N/A	10.188	13.688
121-12-25	2 ½ NPT	8.25	2.375	N/A	N/A	N/A	14	14.125
121-12-30	3 FLG	N/A	3.563	11.75	3.75	7.5	14	15.5

GPR-1.4



Hauck Manufacturing Company

COMBUSTION CONTROL ACCESSORIES GAS PRESSURE REGULATORS (GPR)

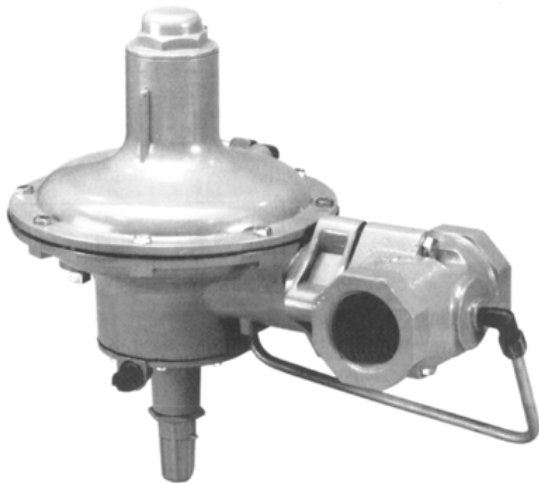


Gas pressure regulators are necessary to step down gas supply pressure to pressures suitable for various burner/combustion applications.

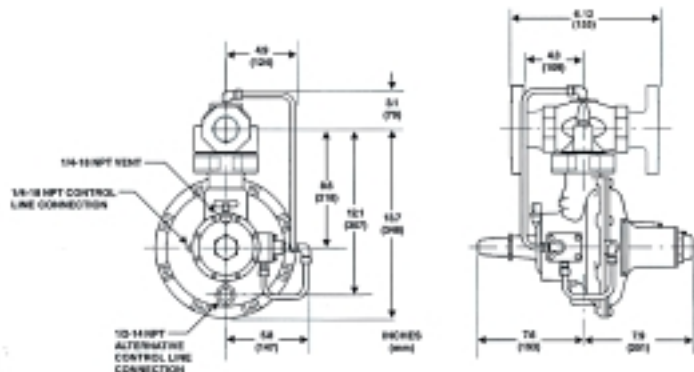
299 gas regulators are pilot-operated, medium capacity regulators used for a variety of combustion applications. The quick responding diaphragm provides immediate correction to variations in downstream pressure. The pilot regulator mounts integrally to the main regulator. Models with the 3/8" or 1/2" orifice are suitable for up to 150 psig (1034 kPa) inlet pressure. The regulator body is constructed of cast iron, and the diaphragm is made of nitrile. The regulator is suitable for temperatures of -20 to 180 °F (-28 to 82 °C). Consult Hauck for regulator requirements other than standard, e.g., body size, outlet pressure range, etc.

Pilot Operated Gas Regulators

Model No.	Hauck Part No.	Conn. Size NPT	Spring Color	Outlet Pressure Range	Orifice Size	Inlet Pressure (psig)	Nat. Gas Flow (scfh)
299-15	62889	1½	Lt. Blue	1- 3.25 psig	3/8"	5	2100
						20	5150
						60	11090
299-20	62495	2	Lt. Blue	1- 3.25 psig	1/2"	5	3640
						20	8960
						60	19280



Dimensions (Inches/mm)



GPR-1.5