



- // For monitoring positive air and gas pressures, negative or differential air pressures
- // Five pressure ranges from 0.2 inch to 200 inch WC (0.5 mbar to 500 mbar)
- // Accurate, repeatable switching action with low hysteresis
- // Choice of mounting positions
- // One normally open and one normally closed contact in each switch
- // Automatic and manual reset models available
- // Compact construction, easy installation
- // Special models available for oxygen service and low voltage operation
- // CE certified models available

## Application

DG gas pressure switches provide accurate, reliable monitoring of gas and air pressures for industrial and commercial applications. They are suitable for natural gas, LP, bio-gases and air.

UL listed and FM approved, they can be used as gas/air high and low proving switches in combustion supervisory systems.



**Specifications**

**Operating Limits**

Ambient and gas temperature range: -40° F to 140° F (-40° C to 60° C).  
 Maximum storage temperature: 158° F (70° C).

**Electrical Data**

Supply voltage: 30–240 Vac; 50/60 Hz, Special "G" models available for voltages below 30 Vac.

Switch contact rating: 5 A resistive or 0.5 A inductive (cos φ = 0.6). For "G" models, 0.1 A resistive or 0.05 A inductive (cos φ = 0.6).

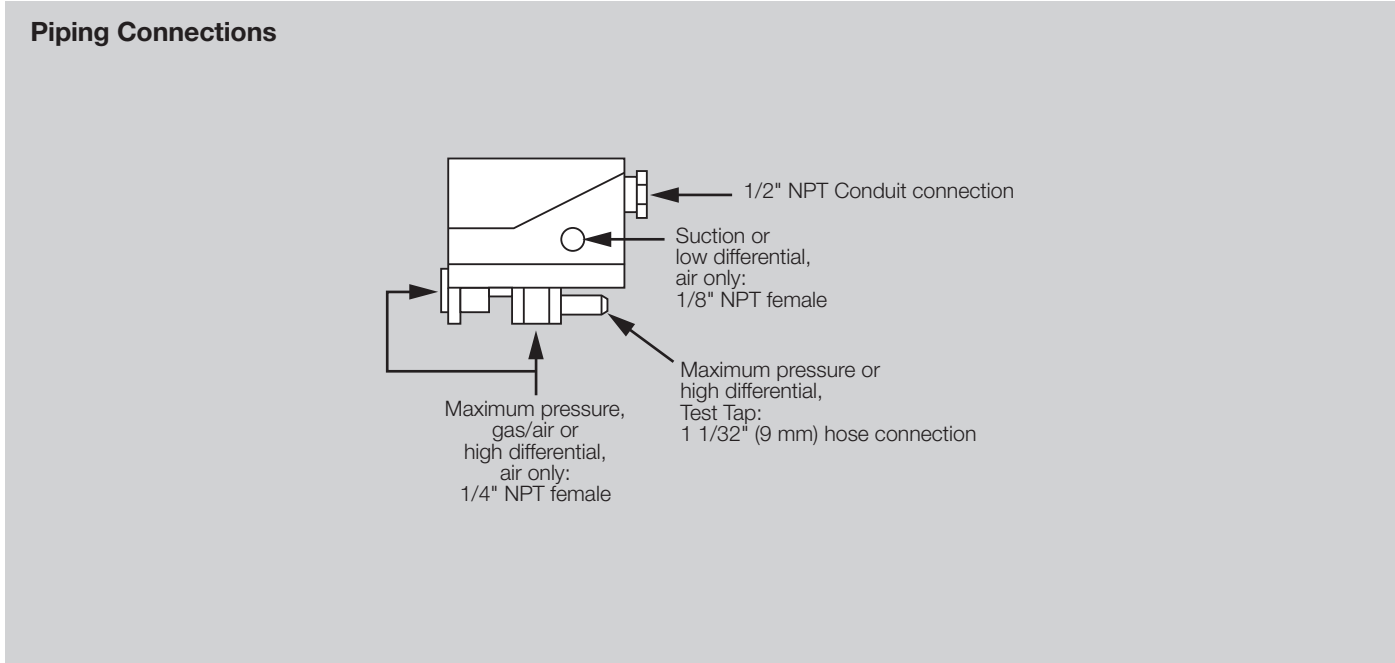
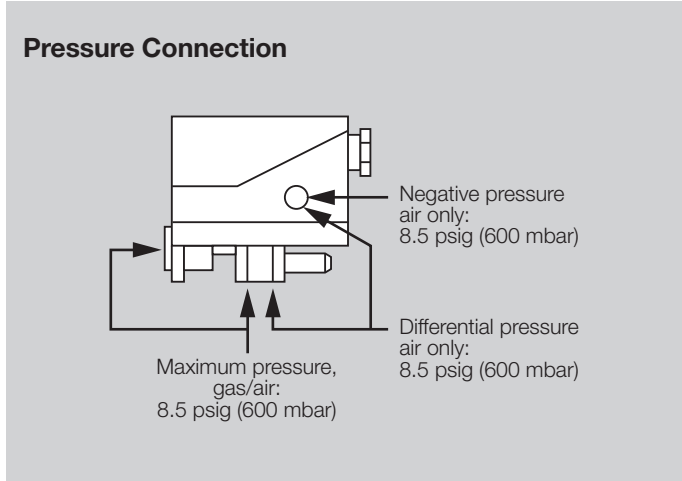
Short-circuit protection: use 8 A quick-acting fuse.

**Materials of Construction**

DG pressure switch covers are high quality injection-molded plastic. Switch housings are glass fiber-reinforced plastic and pressure die-cast aluminum alloy. Diaphragms are nitrile rubber. Enclosures are NEMA 3 (IP 54).

**Electrical and Pressure Connections**

Screw terminals for a maximum wire gauge of AWG 14.  
 1/2" NPT conduit connection.  
 1/4" NPT female connections (2) for pressure (high differential) side of switch.  
 1/8" NPT female connection for suction (low differential) side of switch.  
 1 1/32" (9 mm) diameter test hose fitting on pressure (high differential) side of switch.



**Pressure Ranges**

Type	Adjusting range		Hysteresis, max.		Differential between switching pressure and reset	
	"WC	mbar	"WC	mbar	"WC	mbar
DG 6T	0.2–2.4	0.5–6	0.12	0.3		
DG 10T	0.4–4	1–10	0.16	0.4		
DG 50T	1–20	2.5–50	0.60	1.5		
DG 150T	12–60	30–150	1.60	4.0		
DG 500T	40–200	100–500	4.00	10.0		
DG 10HT, NT	0.4–4	1–10			0.2–0.4	0.4–1
DG 50HT, NT	1–20	2.5–50			0.2–0.8	0.4–2
DG 150HT, NT	12–60	30–150			0.2–1.6	0.4–4
DG 500HT, NT	40–200	100–500			1.6–4.0	4.0–10

**Special Features**

- Manual reset models cannot be locked in closed position by holding in the reset button.
- Silver-plated switch contacts (Gold-plated on low voltage "G" models)
- Green pilot lamp glows when switch contacts are closed.  
(pressure in satisfactory range)
- Standard pressure tap for monitoring high side pressure.

**Selection**

Switch with automatic reset action, select DG..T switches.

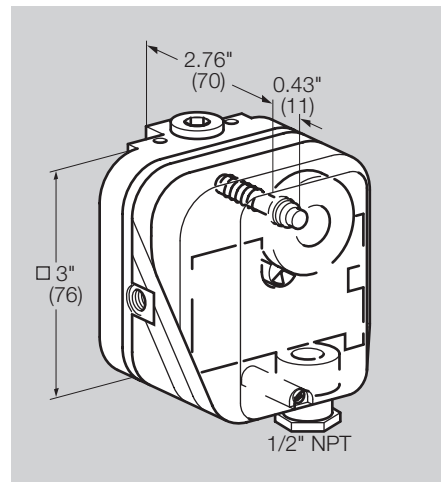
Switch with manual reset, locks when the set pressure is exceeded, select DG..HT.

Switch with manual reset, locks when the set pressure is under-run, select DG..NT.

**Dimensions and weights**

DG 6 to DG 50: 0.6 lbs (0.3 kg)

DG 150 to DG 500: 0.7 lbs (0.33 kg).





## Order Information

### Pressure switches DG

<b>DG</b>	pressure switch for gas and air
<b>6</b>	adjusting range 0.2–2.4 "WC (0.5–6 mbar)
<b>10</b>	adjusting range 0.4–4 "WC (1–10 mbar)
<b>50</b>	adjusting range 1–20 "WC (2.5–50 mbar)
<b>150</b>	adjusting range 12–60 "WC (30–150 mbar)
<b>500</b>	adjusting range 40–200 "WC (100–500 mbar)
<b>H</b>	locks when the set pressure is exceeded
<b>N</b>	locks when the set pressure is under-run
<b>T</b>	T-product
<b>G</b>	gold plated contacts
<b>S</b>	oxygen resistant diaphragm

## Special Versions

### DG..TG

Pressure switch with gold plated contacts for small voltages and currents, recommended for use at  $\leq 30$  V rated at 0.1 A, resistive or 0.05 A inductive ( $\cos \varphi = 0.6$ ).

### DG..TS

Pressure switch with oxygen-resistant diaphragm. These switches are to be used only for positive pressure monitoring using either of the "H" connections. Temperature range: 5° F to 140° F (-15° C to 60° C). These switches are not agency-approved.

## Accessory

Fastening set with holding angle bracket, order no.: 74915387.



### Warning:

Situations dangerous to personnel and property can result from the misapplication and incorrect operation of combustion equipment. Kromschroder advises compliance with the National Fire Protection Association standards that apply for related equipment and Insurance Underwriters recommendation, and care of operation.

We reserve the right to make technical changes designed to improve our products without prior notice. For current product information, visit our website at [www.kromschroder.com](http://www.kromschroder.com).