



Hauck Manufacturing Company

COMBUSTION CONTROL ACCESSORIES OIL FILTERS EDGE PLATE-TYPE (OF)



Oil filters are necessary in combustion systems to provide adequate filtration of particles from fuel oils. The filters in this series are for single-burner applications, or in supply headers for multiple burner applications that require fine filtration.

The DDS, G, and EG series oil filters utilize stacked metal edge plates to trap dirt and other foreign material present in fuel oil on fuel burning installations where a continuous flow of clean fuel oil is essential. This helps avoid the clogging of pumps, oil lines, valves, and burners, reducing burner shut downs. The filters are cleanable without interruption of flow by a single turn of the cleaning handle. A drain is provided for removal of sludge. Maximum operating pressures are: DDS series, 250 psi (1724 kPa) @ 200 °F (93 °C); G series, 125 psi (862 kPa) @ 200 °F (93 °C); EG series, 200 psi (1379 kPa) @ 200 °F (93 °C).

Oil Filters Edge Plate-Type

Model No.	Hauck Part No.	Conn. Size NPT	Spacing (Inches)	Oil Flow @100 SSU*
DDS-03	14203	3/8	0.003	2.6 gpm @ 3 psid
	11043		0.008	4.5 gpm @ 3 psid
G-07	14204	3/4	0.003	5.0 gpm @ 3 psid
	300206		0.008	6.6 gpm @ 3 psid
EG-10	11046	1	0.008	30 gpm @ 3 psid
EG-15	11047	1 1/2		

*Consult Hauck for flow at different viscosities.



DDS Series



G Series



EG Series

(OVER)

OF-1

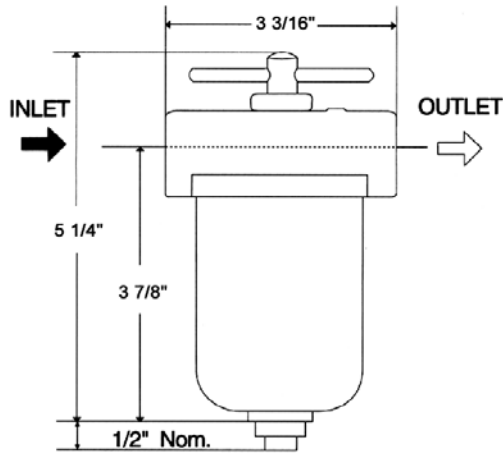


OIL FILTERS EDGE PLATE-TYPE (OF)

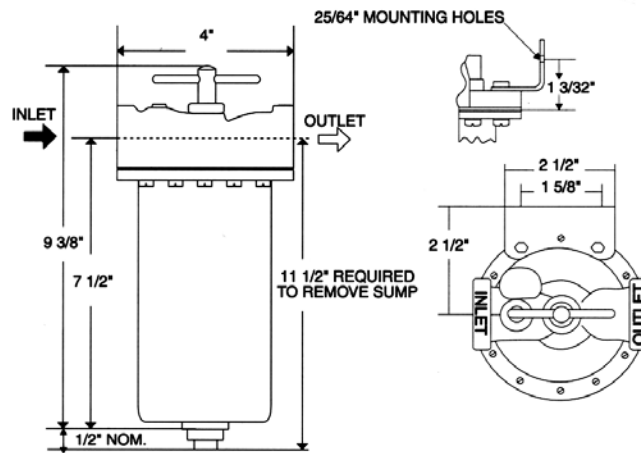


Dimensions (Inches)

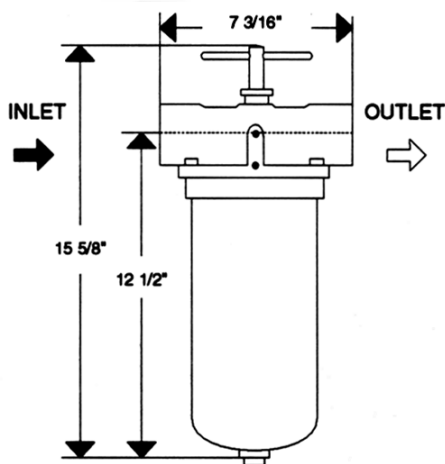
DDS Series



G Series



EG Series



OF-1



Hauck Manufacturing Company

COMBUSTION CONTROL ACCESSORIES OIL FILTERS PAPER ELEMENT-TYPE (OF)



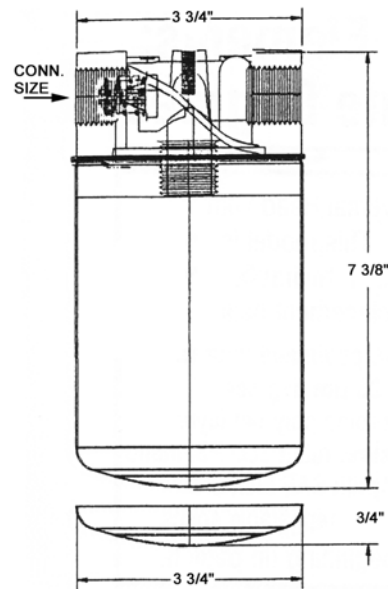
Oil filters are necessary in combustion systems to provide adequate filtration of particles from fuel oils. The filters in this series are limited to light fuel oil for single-burner applications, or in supply headers for multiple burner applications that require ultra fine filtration.

The DS10 series oil filters utilize resinated micropaper to trap dirt and other foreign material present in fuel oil on fuel burning installations where a continuous flow of clean fuel oil is essential. This helps avoid the clogging of valves, regulators and burner nozzles, reducing burner shutdowns. Replacement filter elements are available which allow field replacement without removing the filter head from the oil supply piping. Maximum operating pressure is 150 psi (1034 kPa) at 100° F (38° C).

Oil Filters Paper Element-Type

Model No.	Hauck Part No.	Conn. Size NPT	Filter Size (Inches)	Bypass Pressure	Oil Flow @150 SSU*
DS10-05	60890	1/2	0.0004	25 psi	5 gpm @ 3.5 psid
DS10-07	60891	3/4			

*Consult Hauck for pressure drop at different flow rates.



OF-1.1



Hauck Manufacturing Company

COMBUSTION CONTROL ACCESSORIES OIL FILTERS WOOL FELT-TYPE (OF)



Oil filters are necessary in combustion systems to provide adequate filtration of particles from fuel oils. The filters in this series are limited to light fuel oil for single-burner applications, or in supply headers for multiple burner applications that require ultra fine filtration.

The 1A and 2A series oil filters utilize wool felt filter media to trap dirt and other foreign material present in light fuel oil on fuel burning installations where ultra-fine filtration of the fuel oil is essential. This helps avoid the clogging of valves, regulators, and burner nozzles reducing burner shut downs. Replaceable filter elements are available. To allow filter element replacement without shutting down the fuel oil supply, a bypass line should be piped around the oil filter. Maximum operating pressure for the 1A and 2A series is 12 psi (83kPa) @ 70 °F(21 °C).

Oil Filters Wool Felt-Type



Model No.	Hauck Part No.	Conn. Size NPT	Filter Size (Inches)	Oil Flow @40 SSU
1A-03	301101	3/8	0.0004	0.17 gpm
2A-05	301103	1/2		0.42 gpm

Dimensions (inches)

Model No.	Overall Height	Conn. Width
1A-03	4 3/4	3 1/2
OYS-007	5 7/8	4 3/8

OF-1.2